

# HARO

## Haro Tube Soft Close Seat

### Product Image



### Product Details

**Code:** 523029  
**Brand:** Haro  
**Range:** Tube Soft close  
**Warranty:** 2 Years\*

EASY  FIX



### Additional Features

#### Seat information

- Urea 131.5 Duroplast
- With Soft Close and TakeOff
- Straight shaped
- D-shape
- Round Front
- Evenly Shaped
- Wrapover Design
- Weight 2.3kg
- Care instructions included
- Warranty (Parts Only)\*:  
 Seat, Cover and Hinge Posts : 2 Years  
 Soft Closing Dampers : 10 Years

#### Hinge information

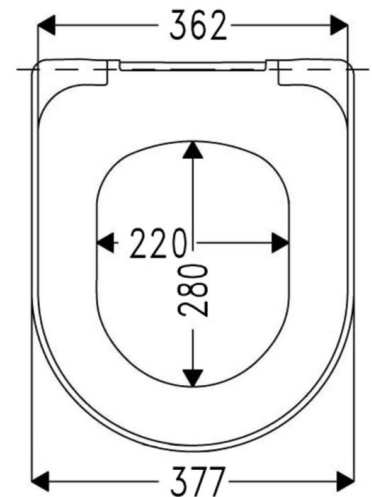


- Hinge Post Centers: 135-230mm
- SoftClose original
- Stainless Steel
- Screw length: 36.0mm



### Technical Specification

Length with C2802H Hinge:  
409.6 - 422 / 444-456.4



\*Terms and conditions apply. Proof of purchase required. Hamberger Sanitary provides a 10 year warranty on the SoftClose automatic closing system. However, should the SoftClose function develop a fault, despite proper use, Hamberger Sanitary will provide new SoftClose dampers free of charge.

**PATERSON**

NEW ZEALAND 1955