

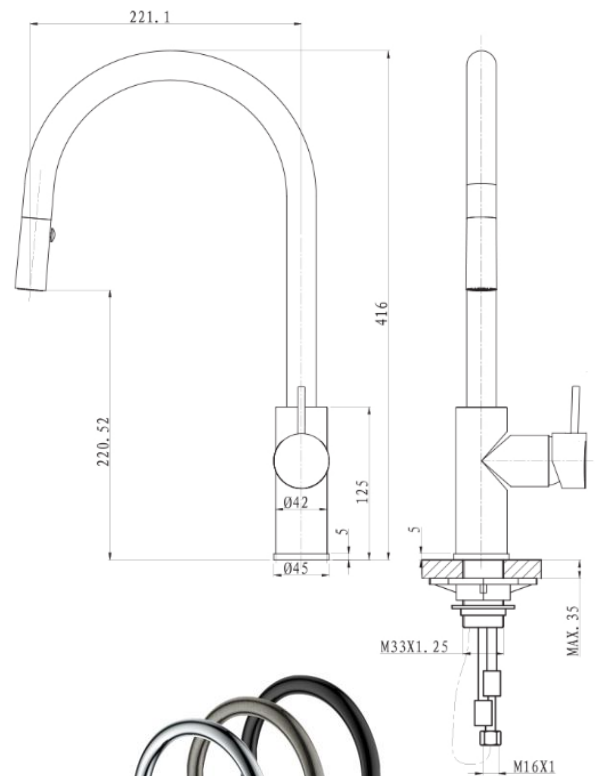
ARGENT

GRACE KITCHEN MIXER

WITH PULL OUT SPRAY

PATERSON

NEW ZEALAND 1955



* Large image shown in Brushed Nickel finish

BRAND / MODEL	Argent Grace Kitchen Mixer with Pull out Spray
FINISH	Chrome, Brushed Nickel, Matte Black
CODE	KM422889** (** colour code)
ADDITIONAL INFORMATION	35mm European Ceramic Cartridge Quality PEX Connection Hoses Superior Flow Regulator Soft Spray Function
WARRANTY	15 Years*
WELS RATING	4 Star / 6.5 Litres per minute

For more details on this product contact Paterson; (09) 309 3022 info@paterson.co.nz www.paterson.co.nz