

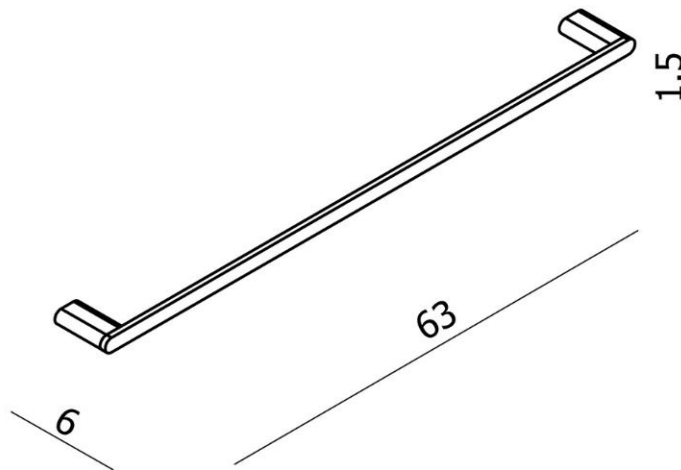
ARGENT

LOFT

600MM TOWEL RAIL

PATERSON

NEW ZEALAND 1955



BRAND / MODEL	Argent Loft Towel Rail – 600mm
FINISH	Chrome
CODE	AR33001
ADDITIONAL INFORMATION	600mm W
WARRANTY	5 Years*