

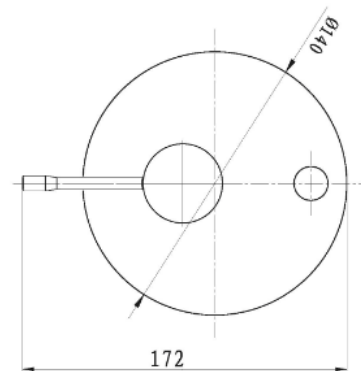
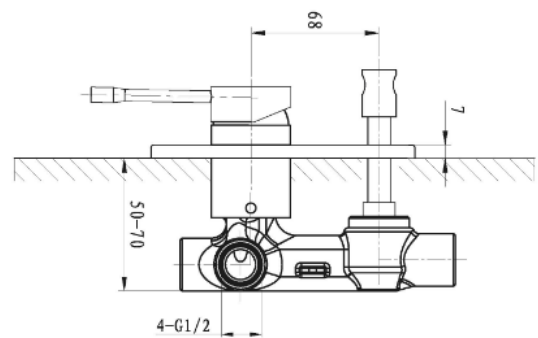
ARGENT

FLOW

DIVERTER MIXER

PATERSON

NEW ZEALAND 1955



BRAND / MODEL	FLOW DIVERTER MIXER – TRIM AND BODY
FINISHES	FULL CHROME/ MATTE BLACK/ BRUSHED NICKEL/BRUSHED GOLD
CODE	DM334247 TRIM /DM330047 BODY