

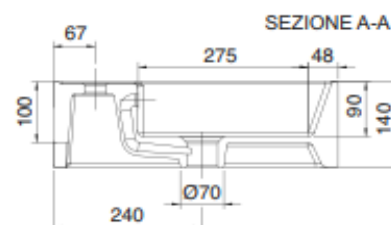
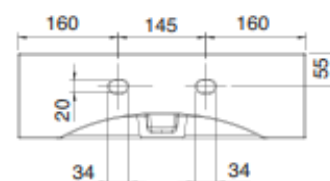
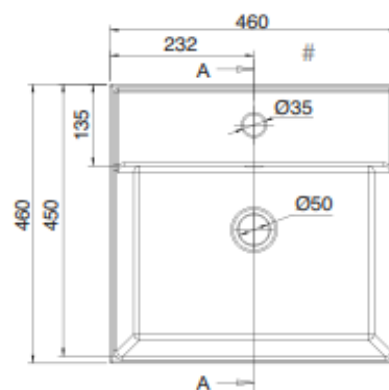
# SCARABEO

# TEOREMA

# WASHBASIN

# PATERSON

NEW ZEALAND 1955



<b>BRAND / MODEL</b>	Teorema Washbasin
<b>FINISH</b>	White
<b>CODE</b>	8031R
<b>DIMENSIONS</b>	140H 460W 460D
<b>WARRANTY</b>	5 year warranty*
<b>WEIGHT</b>	14KG