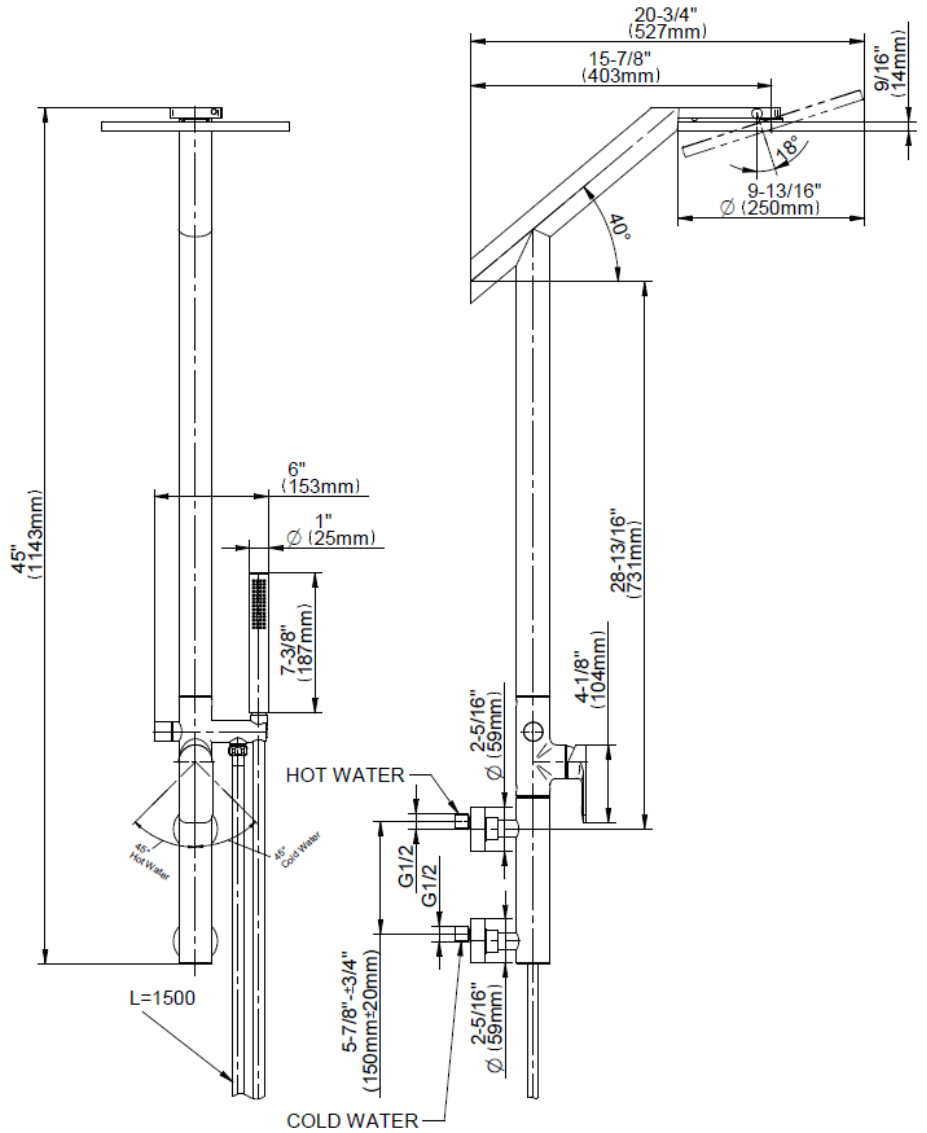
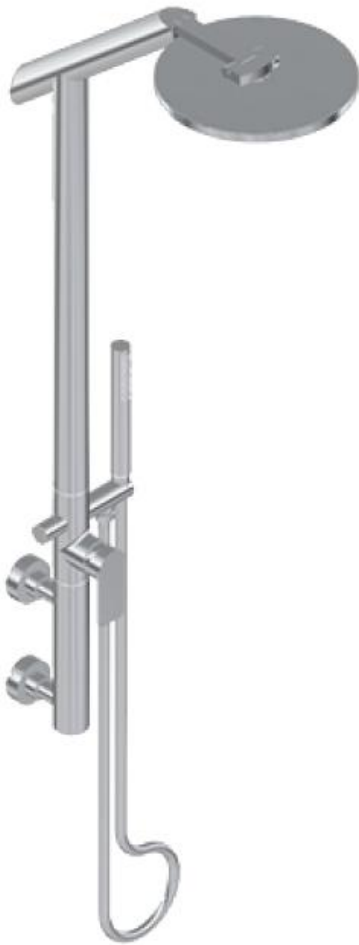


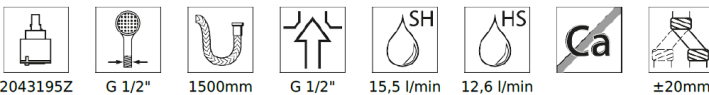
GRAFF

SENTO RANGE

WALL MOUNTED SHOWER COLUMN, RAIN & HAND SHOWER



Finishes



BRAND/MODEL	Graff Sento Range – Wall Mounted Shower Column, Rain Shower & Hand Shower
CODE	5115010

PATERSON

NEW ZEALAND 1955



For more details on this product contact Paterson; (09) 309 3022 info@paterson.co.nz www.paterson.co.nz