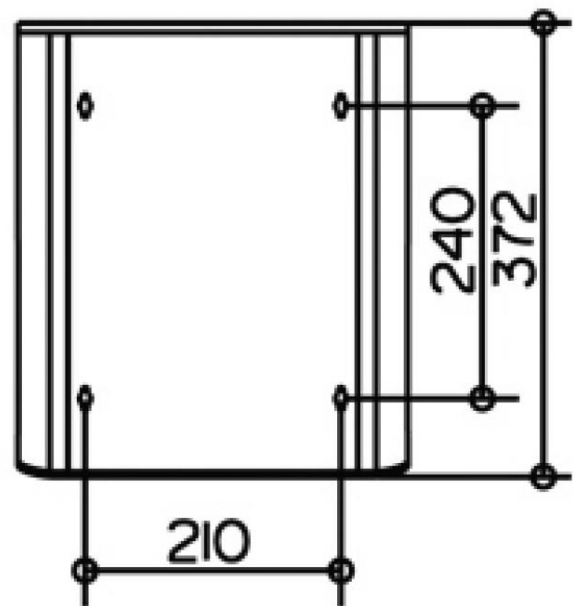
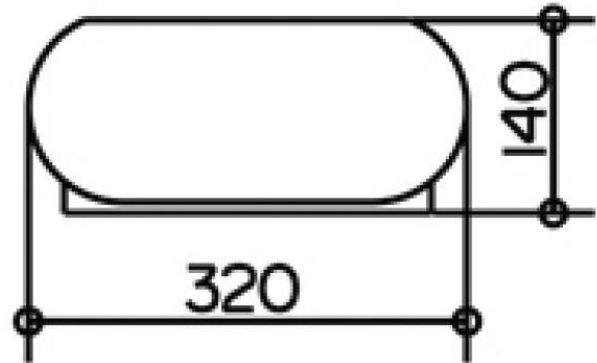


**KEUCO**

**PLAN**

**PAPER TOWEL DISPENSER**



**BRAND / MODEL**

Keuco Plan – Paper Towel Dispenser

**CODE**

14985010000