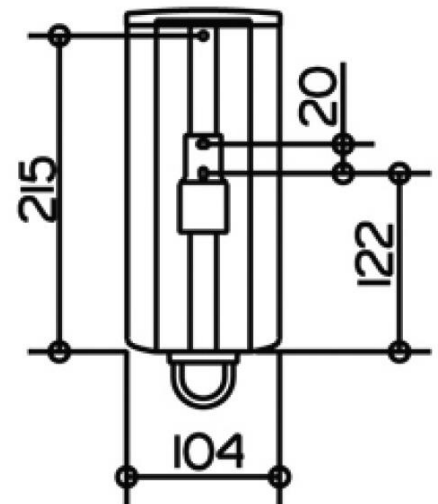
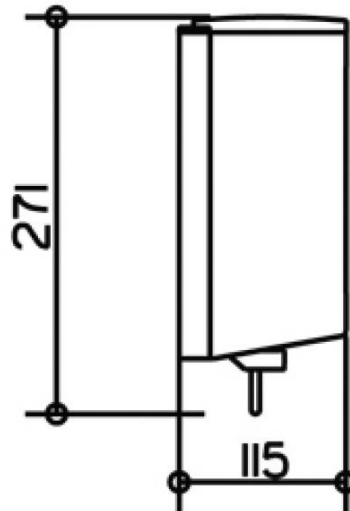


KEUCO

PLAN

LOTION DISPENSER



BRAND / MODEL	Keuco Plan – Lotion Dispenser
CODE	14954010100
SPECIFICATIONS	With synthetic insert and pump. Capacity: approx. 1.1 Dosage: approx. 2.5 ml/stroke