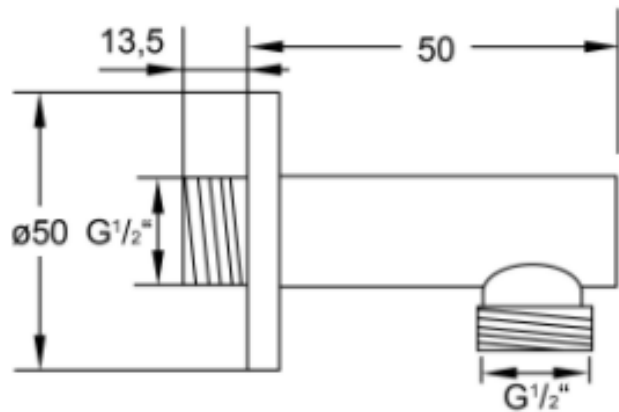


STEINBERG

TRIPLE ONE

WALL UNION



<b>BRAND/MODEL</b>	Steinberg Triple One – Wall Union
<b>CODE</b>	111-1660
<b>FINISHES/COLOUR</b>	Chrome Plated
<b>WARRANTY</b>	10/5 Steinberg Warranty

**PATERSON**

NEW ZEALAND 1955