

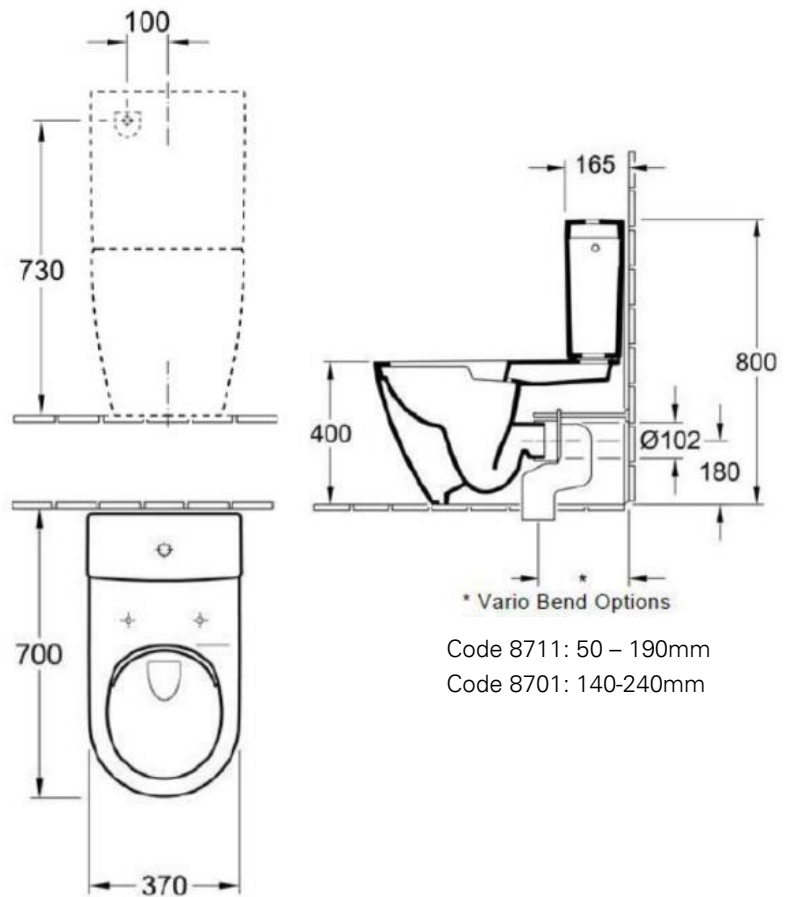
# VILLEROY & BOCH

## SUBWAY 2.0

### BACK TO WALL TOILET SUITE

PATERSON

NEW ZEALAND 1955



\* Vario Bend Options  
Code 8711: 50 – 190mm  
Code 8701: 140-240mm

<b>BRAND / MODEL</b>	Villeroy & Boch Subway 2.0 – Back to Wall Toilet Suite
<b>CODE</b>	5617C11SS
<b>SPECIFICATIONS</b>	5617C11SS- Rear inlet Direct Flush Soft Close Seat Universal S or P trap – P trap set out 180mm, S trap set out 50 – 190mm  Cost optional S trap outlet available if required for 140 – 240mm centre) (code: 8701W, not supplied)
<b>ADDITIONAL INFORMATION</b>	German dual flush mechanism; Rapid & extremely quiet fill valve; High quality seat & cover; Concealed rear water inlet; Featuring Villeroy & Boch DirectFlush; Rimless technology
<b>WELS RATING</b>	4 Stars. 4.5 Litres per full flush, 3 Litres per half flush
<b>ADDITIONAL INFORMATION</b>	5 Years*