

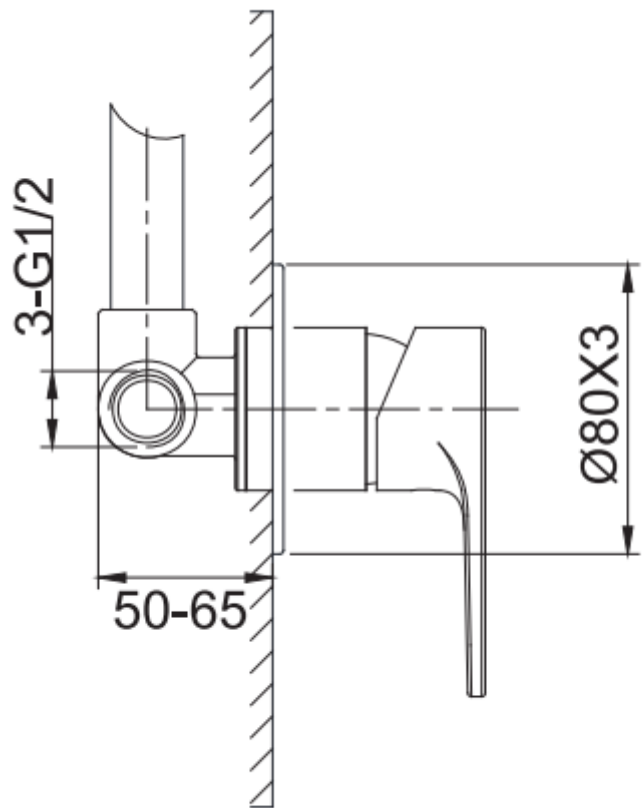
ILIFE

PALMA

SHOWER MIXER & VALVE

PATERSON

NEW ZEALAND 1955



BRAND / MODEL	iLife Palma – Shower Mixer and Valve
CODE	07 4700-2C
SPECIFICATIONS	Ceramic Cartridge
WARRANTY	6 Years*